

ITEM NO.	PART NUMBER	DRAWING NUMBER	DESCRIPTION	QTY.
1	400569	FAB745	CROSS MEMBER BOAT BLIND 2200	2
2	400835	FAB736	PIVOT SUPPORT BOAT BLIND 1400/1600/1700/1800/2200	2
3	400450	FAB746	ARM EXTENSION BOAT BLIND 2200	4
4	400925	FAB748	ELBOW FRAME LONG BOAT BLIND 2200	4
5	400922	FAB749	ELBOW FRAME SHORT BOAT BLIND 2200	4
6	401324	FAB738	TUBE END FRAME BOAT BLIND 1400/1600/1700/1800/2200	8
7	401323	FAB739	TUBE MIDDLE BOAT BLIND 1400/1600/1700/1800/2200	4
8	401325	N/A	EXTENSION ARM KNOB	4
9	400686	N/A	PREBAG	1

REV	DESCRIPTION	DATE	NAME	DRAWN	JC	10/11/18
A	RELEASED	10/11/18	JC	Q.A.		

BEAVERTAIL

BOAT BLIND 2200

TITLE:

SIZE **A** DWG. NO. **XXXX** REV **A**

SCALE: 1:24 SHOT WEIGHT: XX# SHEET 1 OF 2

UNLESS OTHERWISE SPECIFIED:
 DIMENSIONS ARE IN INCHES
 TOLERANCES:
 ANGULAR: MACH ± 1 BEND ± 1
 TWO PLACE DECIMAL ± 0.03
 THREE PLACE DECIMAL ± 0.01

MATERIAL

FINISH

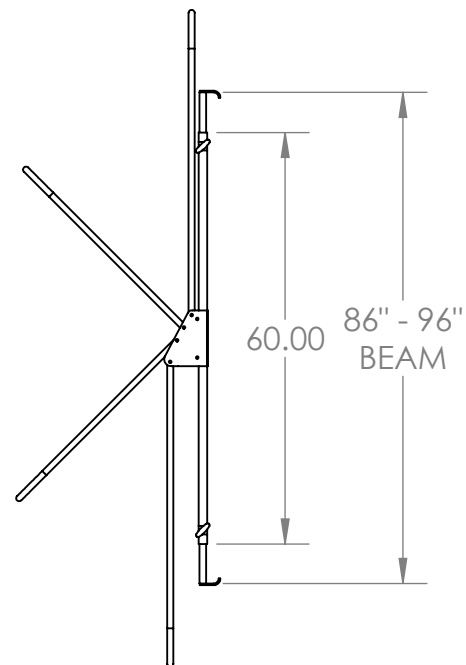
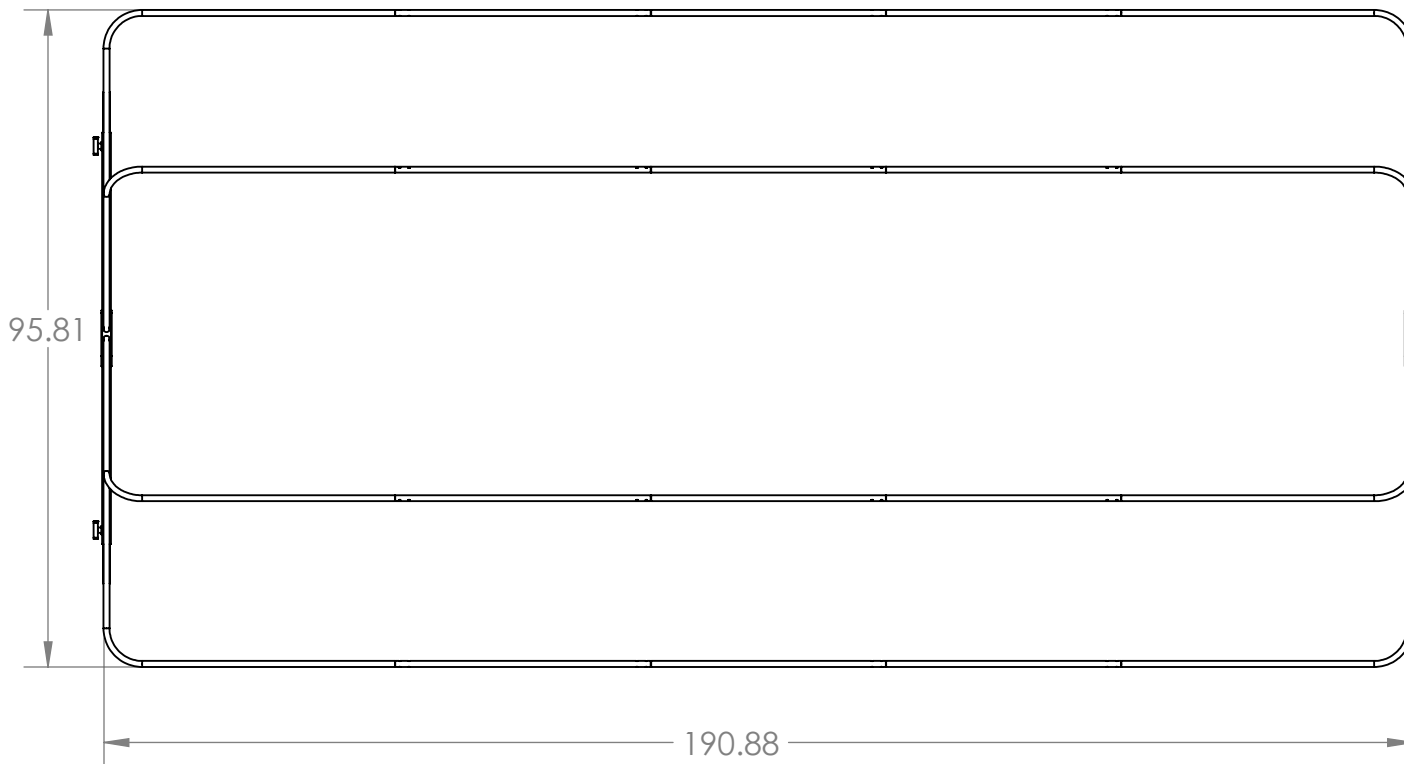
PROPRIETARY AND CONFIDENTIAL
 THE INFORMATION CONTAINED IN THIS DRAWING IS THE SOLE PROPERTY OF RHINO ROTATIONAL MOLDING. ANY REPRODUCTION IN PART OR AS A WHOLE WITHOUT THE WRITTEN PERMISSION OF RHINO ROTATIONAL MOLDING IS PROHIBITED.

2

1

B

B



REV	DESCRIPTION	DATE	NAME	DRAWN	JC	10/11/18
A	RELEASED	10/11/18	JC	Q.A.		

BEAVERTAIL

TITLE: **BOAT BLIND 2200**

SIZE **A** DWG. NO. **XXXX** REV **A**

SCALE: 1:28 SHOT WEIGHT: XX# SHEET 2 OF 2

UNLESS OTHERWISE SPECIFIED:
 DIMENSIONS ARE IN INCHES
 TOLERANCES:
 ANGULAR: MACH ± 1 BEND ± 1
 TWO PLACE DECIMAL ± 0.03
 THREE PLACE DECIMAL ± 0.01

MATERIAL

FINISH

PROPRIETARY AND CONFIDENTIAL
 THE INFORMATION CONTAINED IN THIS DRAWING IS THE SOLE PROPERTY OF RHINO ROTATIONAL MOLDING. ANY REPRODUCTION IN PART OR AS A WHOLE WITHOUT THE WRITTEN PERMISSION OF RHINO ROTATIONAL MOLDING IS PROHIBITED.

A

A

2

1