

ITEM NO.	PART NUMBER	DRAWING NUMBER	DESCRIPTION	QTY.
1	400568	FAB742	CROSS MEMBER BOAT BLIND 1700/1800	2
2	400835	FAB736	PIVOT SUPPORT BOAT BLIND 1400/1600/1700/1800/2200	2
3	400449	FAB751	ARM EXTENSION BOAT BLIND 1700/1800	4
4	401920	FAB743	ELBOW FRAME LONG BOAT BLIND 1700/1800	4
5	400921	FAB744	ELBOW FRAME SHORT BOAT BLIND 1700/1800	4
6	401324	FAB738	TUBE END FRAME BOAT BLIND 1400/1600/1700/1800/2200	8
7	401323	FAB739	TUBE MIDDLE BOAT BLIND 1400/1600/1700/1800/2200	4
8	401325	N/A	EXTENSION ARM KNOB	4
9	400686	N/A	PREBAG	1

REV	DESCRIPTION	DATE	NAME	DRAWN	JC	10/11/18
A	RELEASED	10/11/18	JC	Q.A.		

BEAVERTAIL

TITLE: **BOAT BLIND 1800**

SIZE **A** DWG. NO. **XXXX** REV **A**

SCALE: 1:20 SHOT WEIGHT: XX# SHEET 1 OF 2

UNLESS OTHERWISE SPECIFIED:
 DIMENSIONS ARE IN INCHES
 TOLERANCES:
 ANGULAR: MACH ± 1 BEND ± 1
 TWO PLACE DECIMAL ± 0.03
 THREE PLACE DECIMAL ± 0.01

MATERIAL

FINISH

PROPRIETARY AND CONFIDENTIAL
 THE INFORMATION CONTAINED IN THIS DRAWING IS THE SOLE PROPERTY OF RHINO ROTATIONAL MOLDING. ANY REPRODUCTION IN PART OR AS A WHOLE WITHOUT THE WRITTEN PERMISSION OF RHINO ROTATIONAL MOLDING IS PROHIBITED.

B

B

A

A

2

1

2

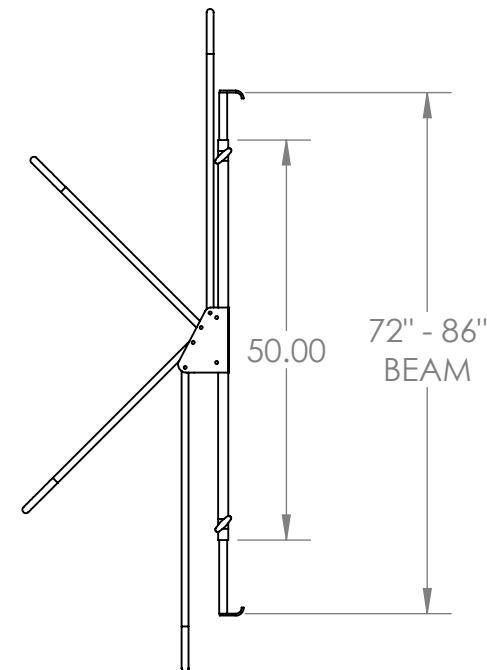
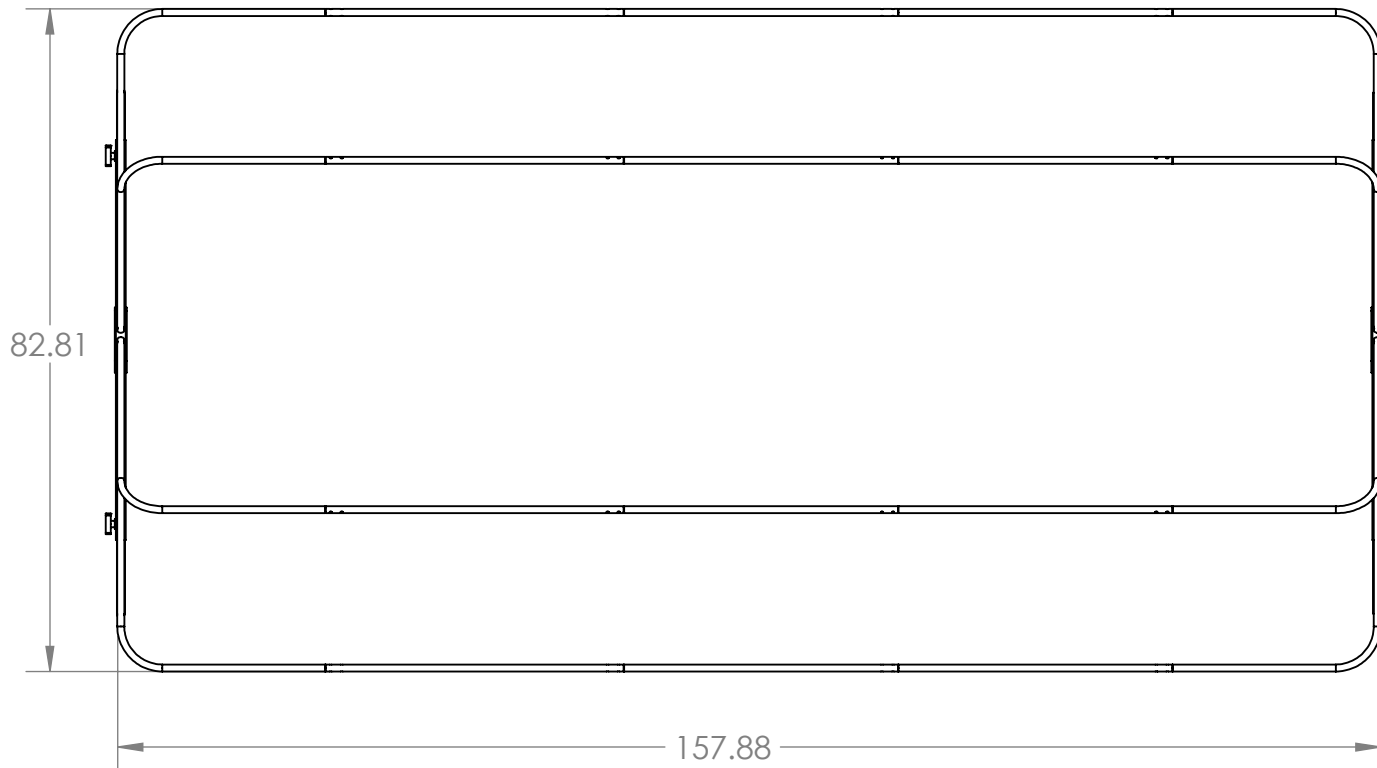
1

2

1

B

B



A

A

REV	DESCRIPTION	DATE	NAME	DRAWN	JC	10/11/18
A	RELEASED	10/11/18	JC	Q.A.		
				UNLESS OTHERWISE SPECIFIED:		
				DIMENSIONS ARE IN INCHES		
				TOLERANCES:		
				ANGULAR: MACH ± 1 BEND ± 1		
				TWO PLACE DECIMAL ± 0.03		
				THREE PLACE DECIMAL ± 0.01		
				MATERIAL		
				FINISH		
				PROPRIETARY AND CONFIDENTIAL THE INFORMATION CONTAINED IN THIS DRAWING IS THE SOLE PROPERTY OF RHINO ROTATIONAL MOLDING. ANY REPRODUCTION IN PART OR AS A WHOLE WITHOUT THE WRITTEN PERMISSION OF RHINO ROTATIONAL MOLDING IS PROHIBITED.		

BEAVERTAIL

TITLE:

BOAT BLIND 1800

SIZE

DWG. NO.

REV

A

XXXX

A

SCALE: 1:24

SHOT WEIGHT: XX#

SHEET 2 OF 2

2

1