

ITEM NO.	PART NUMBER	DRAWING NUMBER	DESCRIPTION	QTY.
1	400568	FAB742	CROSS MEMBER BOAT BLIND 1700/1800	2
2	400835	FAB736	PIVOT SUPPORT BOAT BLIND 1400/1600/1700/1800/2200	2
3	400449	FAB751	ARM EXTENSION BOAT BLIND 1700/1800	4
4	401920	FAB743	ELBOW FRAME LONG BOAT BLIND 1700/1800	2
5	400921	FAB744	ELBOW FRAME SHORT BOAT BLIND 1700/1800	6
6	401324	FAB738	TUBE END FRAME BOAT BLIND 1400/1600/1700/1800/2200	8
7	401323	FAB739	TUBE MIDDLE BOAT BLIND 1400/1600/1700/1800/2200	4
8	401325	N/A	EXTENSION ARM KNOB	4
9	400686	N/A	PREBAG	1

REV	DESCRIPTION	DATE	NAME	DRAWN	JC	10/11/18
A	RELEASED	10/11/18	JC	Q.A.		

BEAVERTAIL

TITLE: **BOAT BLIND 1700**

UNLESS OTHERWISE SPECIFIED:
 DIMENSIONS ARE IN INCHES
 TOLERANCES:
 ANGULAR: MACH ± 1 BEND ± 1
 TWO PLACE DECIMAL ± 0.03
 THREE PLACE DECIMAL ± 0.01

MATERIAL

FINISH

PROPRIETARY AND CONFIDENTIAL
 THE INFORMATION CONTAINED IN THIS DRAWING IS THE SOLE PROPERTY OF RHINO ROTATIONAL MOLDING. ANY REPRODUCTION IN PART OR AS A WHOLE WITHOUT THE WRITTEN PERMISSION OF RHINO ROTATIONAL MOLDING IS PROHIBITED.

SIZE **A** DWG. NO. **XXXX** REV **A**

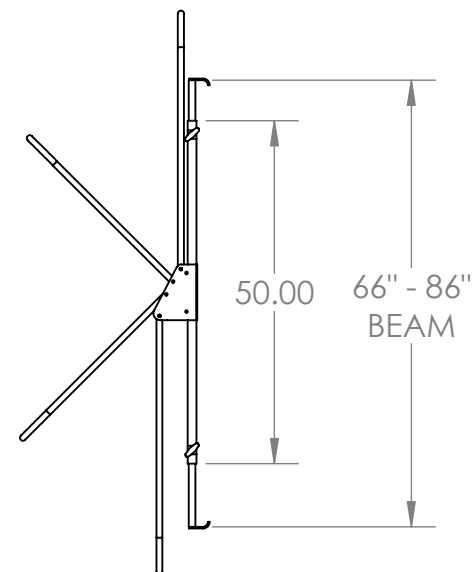
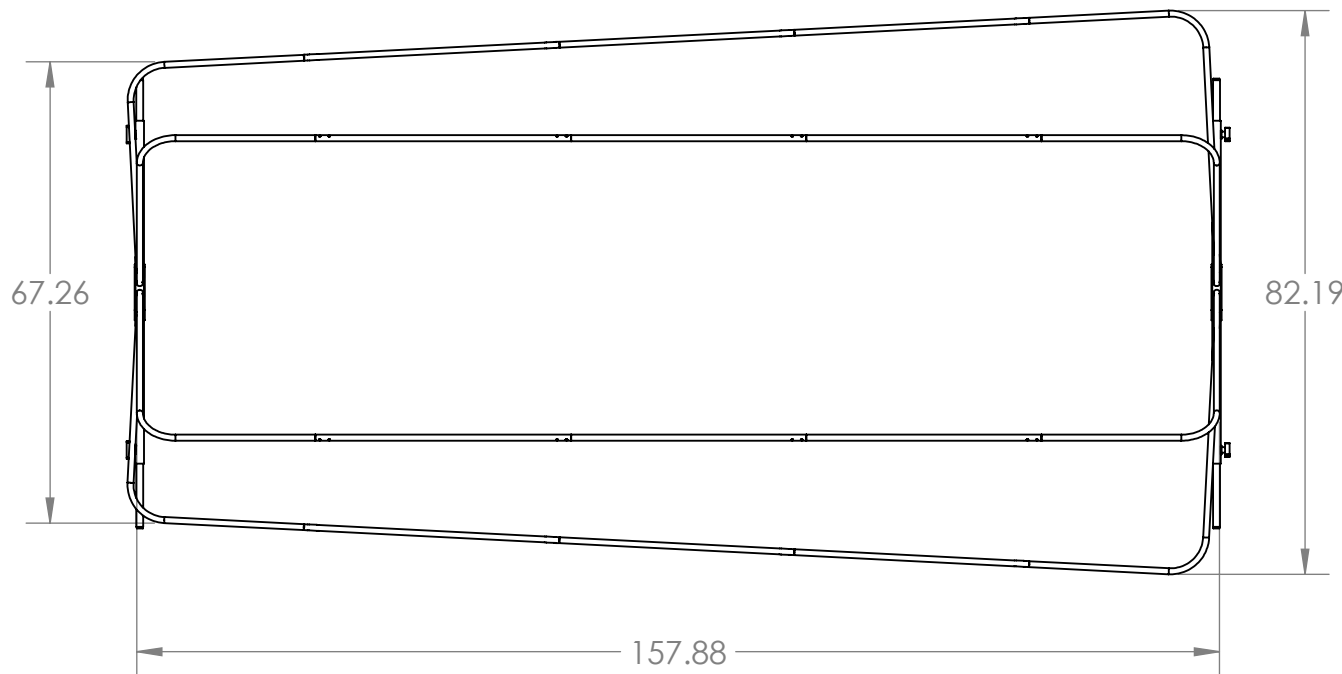
SCALE: 1:20 SHOT WEIGHT: XX# SHEET 1 OF 2

2

1

B

B



A

A

REV	DESCRIPTION	DATE	NAME	DRAWN	JC	10/11/18	BEAVERTAIL	
A	RELEASED	10/11/18	JC	Q.A.			TITLE:	
				UNLESS OTHERWISE SPECIFIED:			BOAT BLIND 1700	
				DIMENSIONS ARE IN INCHES			SIZE	
				TOLERANCES:			DWG. NO.	
				ANGULAR: MACH ± 1 BEND ± 1			XXXX	
				TWO PLACE DECIMAL ± 0.03			REV	
				THREE PLACE DECIMAL ± 0.01			A	
				MATERIAL			SCALE: 1:28	
				FINISH			SHOT WEIGHT: XX#	
				PROPRIETARY AND CONFIDENTIAL THE INFORMATION CONTAINED IN THIS DRAWING IS THE SOLE PROPERTY OF RHINO ROTATIONAL MOLDING. ANY REPRODUCTION IN PART OR AS A WHOLE WITHOUT THE WRITTEN PERMISSION OF RHINO ROTATIONAL MOLDING IS PROHIBITED.			SHEET 2 OF 2	

2

1