

ITEM NO.	PART NUMBER	DRAWING NUMBER	DESCRIPTION	QTY.
1	400836	FAB735	CROSS MEMBER BOAT BLIND 1400/1600	2
2	400835	FAB736	PIVOT SUPPORT BOAT BLIND 1400/1600/1700/1800/2200	2
3	400475	FAB734	ARM EXTENSION BOAT BLIND 1400/1600	4
4	400919	FAB737	ELBOW FRAME BOAT BLIND 1600	8
5	401324	FAB738	TUBE END FRAME BOAT BLIND 1400/1600/1700/1800/2200	8
6	401323	FAB739	TUBE MIDDLE BOAT BLIND 1400/1600/1700/1800/2200	4
7	401325	N/A	EXTENSION ARM KNOB	4
8	400686	N/A	PREBAG	1

REV	DESCRIPTION	DATE	NAME	DRAWN	JC	10/11/18
A	RELEASED	10/11/18	JC	Q.A.		

BEAVERTAIL

TITLE: **BOAT BLIND 1600**

UNLESS OTHERWISE SPECIFIED:
 DIMENSIONS ARE IN INCHES
 TOLERANCES:
 ANGULAR: MACH ± 1 BEND ± 1
 TWO PLACE DECIMAL ± 0.03
 THREE PLACE DECIMAL ± 0.01

MATERIAL

FINISH

PROPRIETARY AND CONFIDENTIAL
 THE INFORMATION CONTAINED IN THIS DRAWING IS THE SOLE PROPERTY OF RHINO ROTATIONAL MOLDING. ANY REPRODUCTION IN PART OR AS A WHOLE WITHOUT THE WRITTEN PERMISSION OF RHINO ROTATIONAL MOLDING IS PROHIBITED.

SIZE **A** DWG. NO. **XXXX** REV **A**

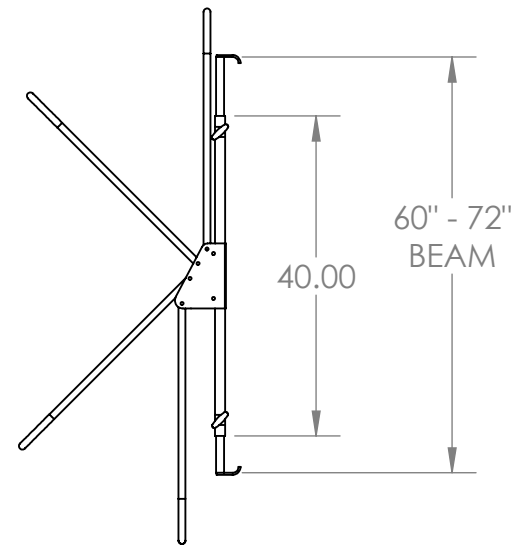
SCALE: 1:20 SHOT WEIGHT: XX# SHEET 1 OF 2

2

1

B

B



A

A

REV	DESCRIPTION	DATE	NAME	DRAWN	JC	10/11/18
A	RELEASED	10/11/18	JC	Q.A.		
				UNLESS OTHERWISE SPECIFIED:		
				DIMENSIONS ARE IN INCHES		
				TOLERANCES:		
				ANGULAR: MACH ± 1 BEND ± 1		
				TWO PLACE DECIMAL ± 0.03		
				THREE PLACE DECIMAL ± 0.01		
				MATERIAL		
				FINISH		
				PROPRIETARY AND CONFIDENTIAL THE INFORMATION CONTAINED IN THIS DRAWING IS THE SOLE PROPERTY OF RHINO ROTATIONAL MOLDING. ANY REPRODUCTION IN PART OR AS A WHOLE WITHOUT THE WRITTEN PERMISSION OF RHINO ROTATIONAL MOLDING IS PROHIBITED.		

TITLE:		
BEAVERTAIL		
BOAT BLIND 1600		
SIZE	DWG. NO.	REV
A	XXXX	A
SCALE: 1:24	SHOT WEIGHT: XX#	SHEET 2 OF 2

2

1