

ITEM NO.	PART NUMBER	DRAWING NUMBER	DESCRIPTION	QTY.
1	400836	FAB735	CROSS MEMBER BOAT BLIND 1400/1600	1
2	400567	FAB750	CROSS MEMBER BOAT BLIND 1400	1
3	400475	FAB734	ARM EXTENSION BOAT BLIND 1400/1600	4
4	400835	FAB736	PIVOT SUPPORT BOAT BLIND 1400/1600/1700/1800/2200	2
5	400425	FAB741	ELBOW FRAME BOAT BLIND 1400	8
6	401324	FAB738	TUBE END FRAME BOAT BLIND 1400/1600/1700/1800/2200	8
7	401323	FAB739	TUBE MIDDLE BOAT BLIND 1400/1600/1700/1800/2200	4
8	401325	N/A	EXTENSION ARM KNOB	4
9	400686	N/A	PREBAG	1

REV	DESCRIPTION	DATE	NAME	DRAWN	JC	10/11/18
A	RELEASED	10/11/18	JC	Q.A.		

BEAVERTAIL

TITLE: **BOAT BLIND 1400**

UNLESS OTHERWISE SPECIFIED:
 DIMENSIONS ARE IN INCHES
 TOLERANCES:
 ANGULAR: MACH ± 1 BEND ± 1
 TWO PLACE DECIMAL ± 0.03
 THREE PLACE DECIMAL ± 0.01

MATERIAL

FINISH

PROPRIETARY AND CONFIDENTIAL
 THE INFORMATION CONTAINED IN THIS DRAWING IS THE SOLE PROPERTY OF RHINO ROTATIONAL MOLDING. ANY REPRODUCTION IN PART OR AS A WHOLE WITHOUT THE WRITTEN PERMISSION OF RHINO ROTATIONAL MOLDING IS PROHIBITED.

SIZE **A** DWG. NO. **XXXX** REV **A**

SCALE: 1:16 SHOT WEIGHT: XX# SHEET 1 OF 2

A

A

2

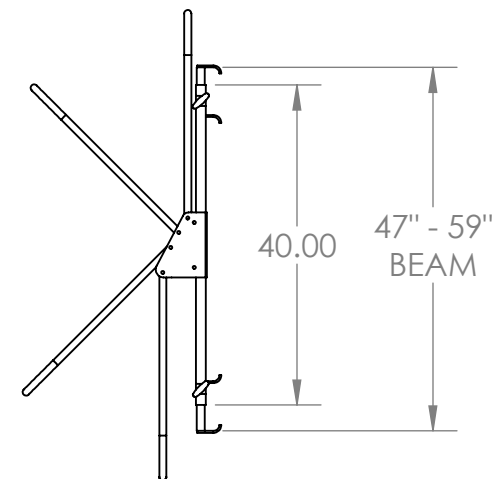
1

2

1

B

B



A

A

REV	DESCRIPTION	DATE	NAME	DRAWN	JC	10/11/18	BEAVERTAIL		
A	RELEASED	10/11/18	JC	Q.A.			TITLE:		
				UNLESS OTHERWISE SPECIFIED:			BOAT BLIND 1400		
				DIMENSIONS ARE IN INCHES					
				TOLERANCES:					
				ANGULAR: MACH ± 1			BEND ± 1		
				TWO PLACE DECIMAL ± 0.03					
				THREE PLACE DECIMAL ± 0.01					
				MATERIAL					
				FINISH					
				PROPRIETARY AND CONFIDENTIAL THE INFORMATION CONTAINED IN THIS DRAWING IS THE SOLE PROPERTY OF RHINO ROTATIONAL MOLDING. ANY REPRODUCTION IN PART OR AS A WHOLE WITHOUT THE WRITTEN PERMISSION OF RHINO ROTATIONAL MOLDING IS PROHIBITED.			SIZE	DWG. NO.	REV
							A	XXXX	A
				SCALE: 1:24			SHOT WEIGHT: XX#	SHEET 2 OF 2	

2

1