



Stealth 1200 & 2000 Additional Seats Installation and Set-Up Instructions

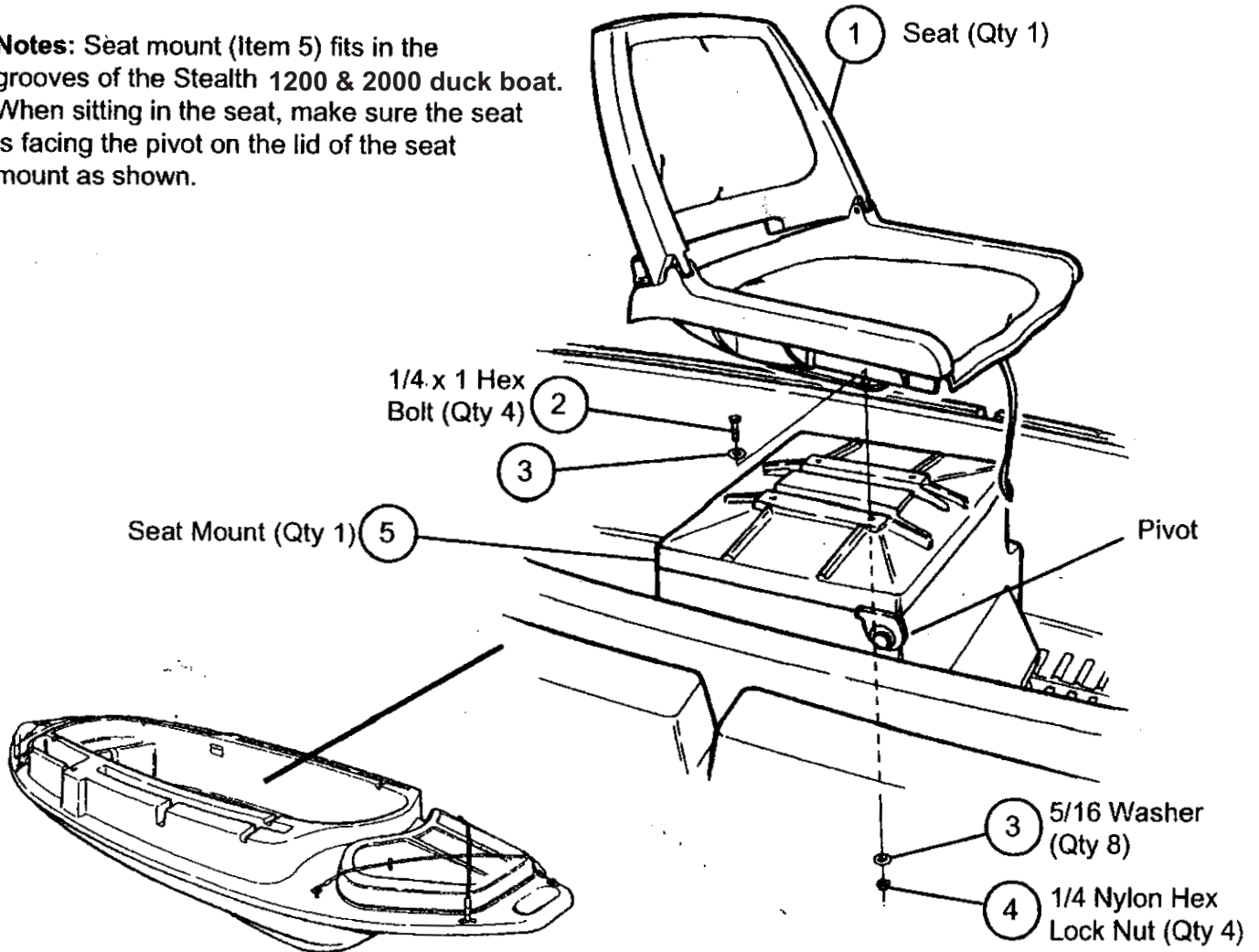
Instructions:

1. Layout all parts.
2. Line up the holes on the seat (Item 1) with the holes on the seat mount (Item 5).
3. Insert the hex bolt (Item 2) through the washer (Item 3) and the existing hole in the seat mount (Item 5).
4. Insert the second washer (Item 3) and then hand tighten the nylon hex lock nut (Item 4) to the hex bolt (Item 2).
5. Install remaining bolts, washers and nuts using the same procedure above.
6. Tighten all bolts and nuts with a box end wrench, socket and ratchet.

Tools Required:

- 7/16 Box End Wrench
- 7/16 Socket and Ratchet

Notes: Seat mount (Item 5) fits in the grooves of the Stealth 1200 & 2000 duck boat. When sitting in the seat, make sure the seat is facing the pivot on the lid of the seat mount as shown.



Additional Seat
September, 2000