



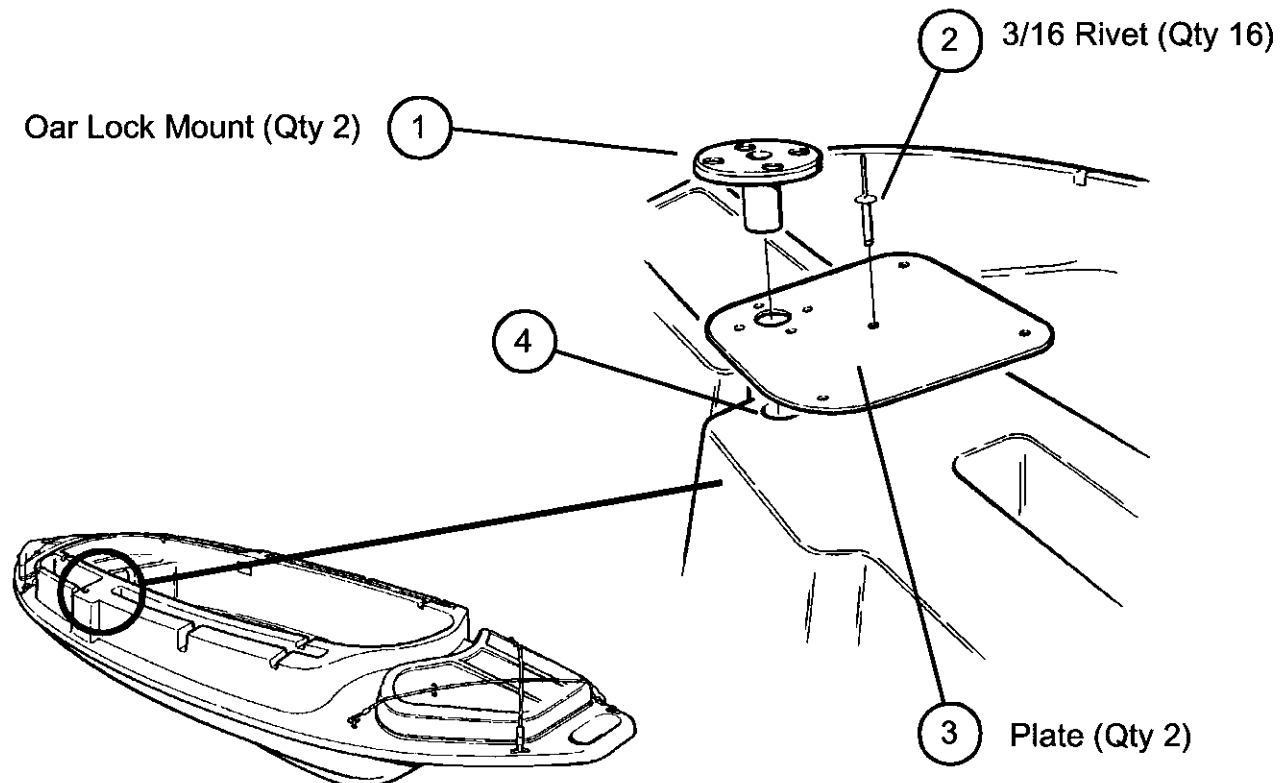
Stealth 1200 Oar Lock Kit Installation and Set-Up Instructions

Instructions:

1. Layout all parts.
2. Line up the plate (Item 3), paint side up, with the edges of the boat and the location hole (Ref. Item 4).
3. Mark the holes for the rivets (Item 2) and remove the plate (Item 3).
4. Drill the 7/8 hole (Ref Item 4).
5. Drill the (8) 13/64 holes.
6. Line up the plate (Item 3) with the predrilled holes.
7. Insert the Oar Lock Mount (Item 1) through the 7/8 hole, you may need to tap it in with a hammer, be sure to line up the smaller 4 holes with the plate (Item 3).
8. Insert the rivets through the holes and attach with the rivet gun.
9. Repeat above instructions for the other side.

Tools Required:

Drill
7/8 bit
13/64 bit
Rivet Gun
Hammer



Oar Lock Kit
September, 2000