



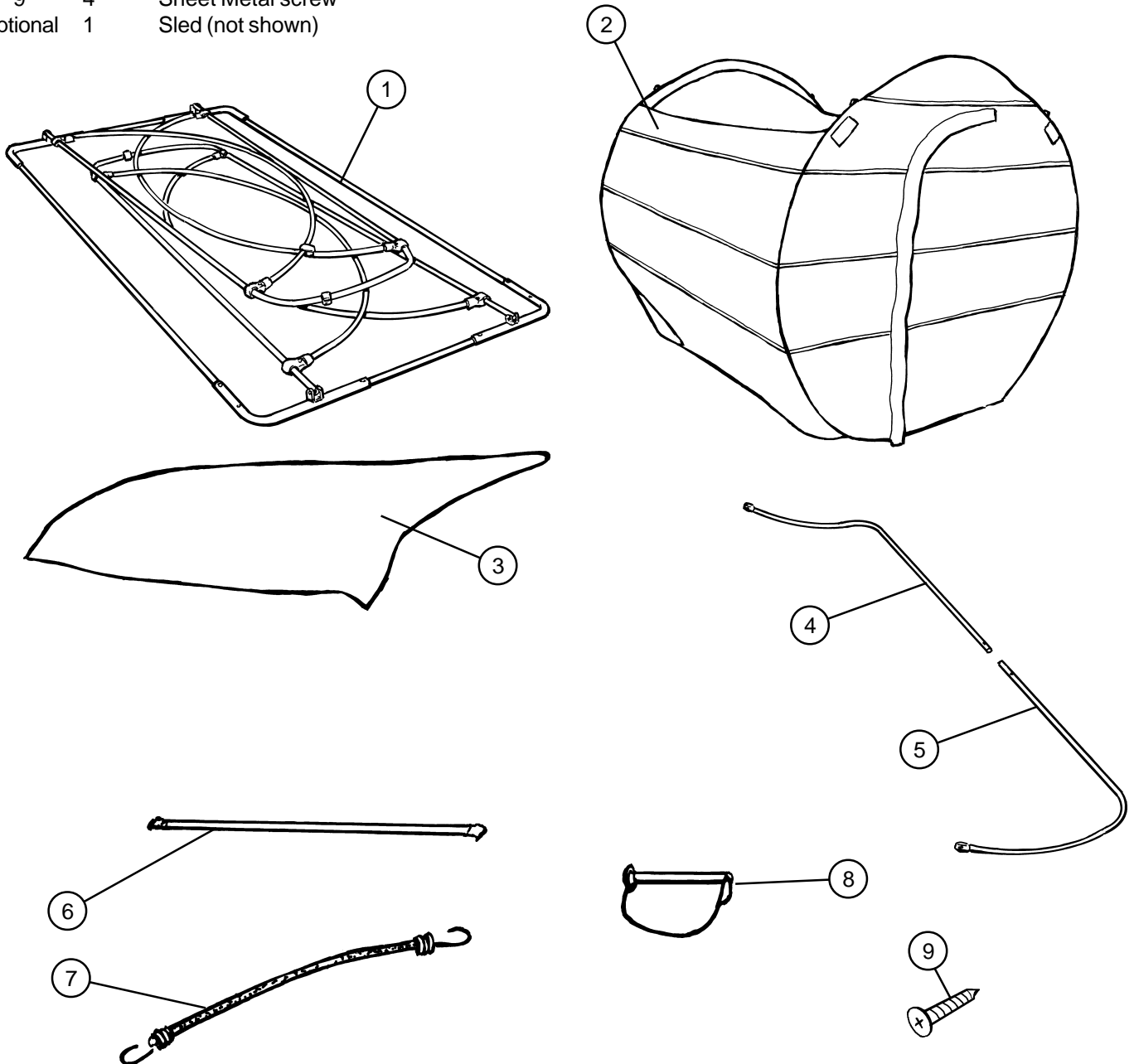
HayBale™ Blind - Outfitter Installation and Set-Up Instructions

PARTS LIST

Item #	Qty	Description
1	1	Frame
2	1	Nylon fabric (main frame)
3	2	Nylon fabric (roof panel)
4	2	LH roof panel tubing
5	2	RH roof panel tubing
6	4	Ridge pole
7	1	Elastic strap
8	4	Clip pin
9	4	Sheet Metal screw
Optional	1	Sled (not shown)

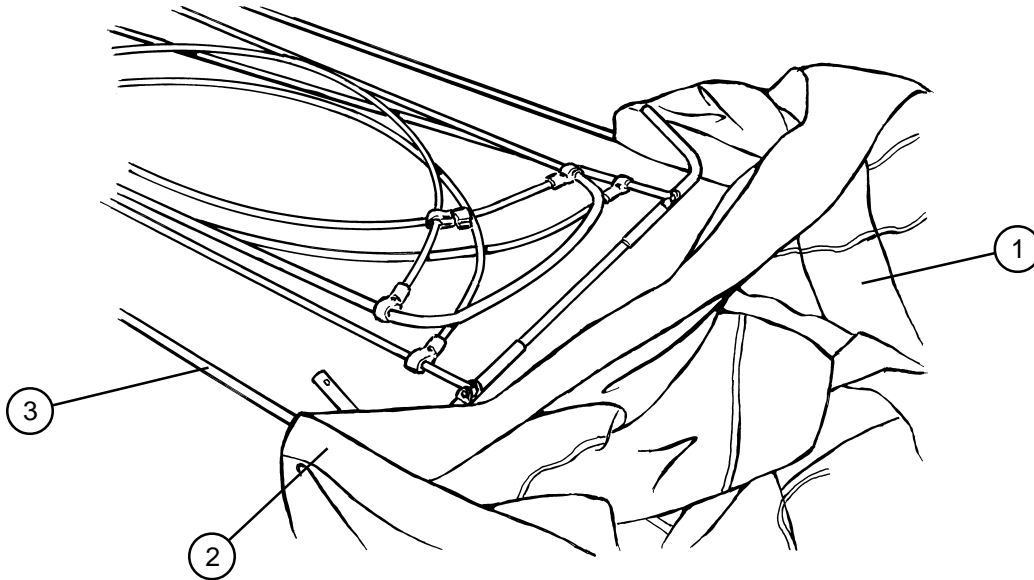
Tools Required:

Phillips Screwdriver



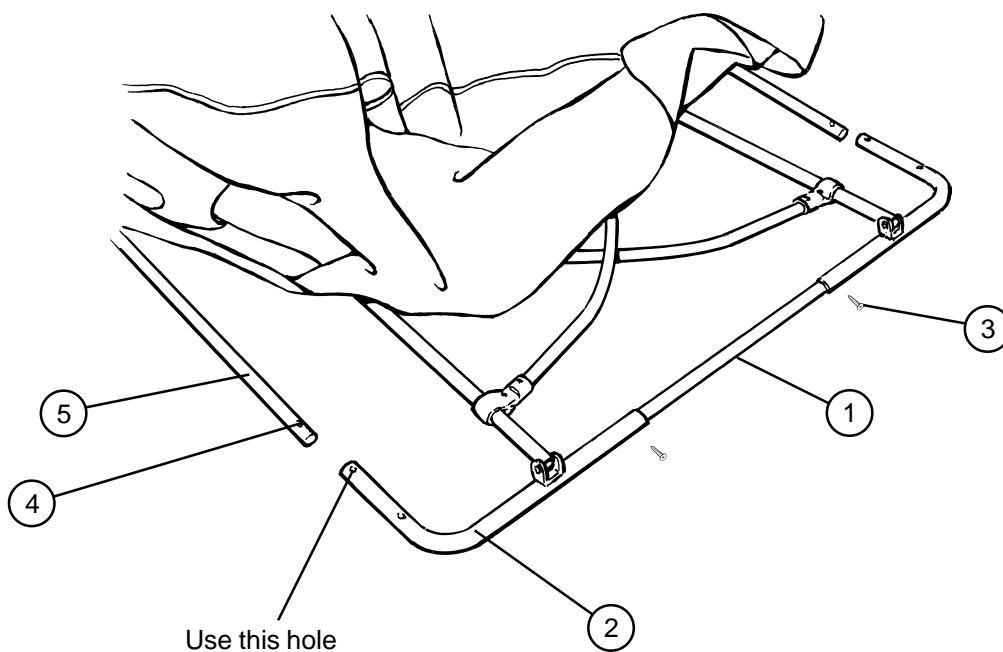
1. Lay the blind frame on the floor as shown. Position nylon fabric (Item 1) as shown with the dark side facing up. Flip the two sides up so that the tubing pockets (Item 2) are visible and slide the fabric all the way onto the base side tubing (Item 3).

Note: The blind may come partially preassembled. If nylon fabric is attached to structure move to the next step.



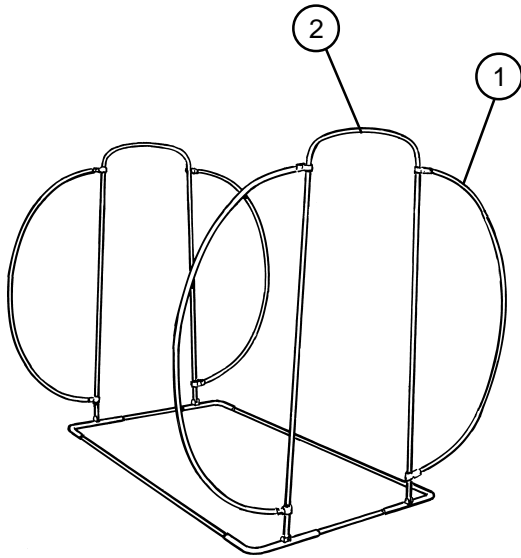
2. Insert the end tube (Item 1) into the base corner tubing (Item 2) and secure with sheet metal screw (Item 3). Repeat on the other end.

Press down on the spring loaded button (Item 4) and reassemble the frame base by inserting the base side tubing (Item 5) into the base corner tubing (Item 2) until the button lines up with the hole indicated below. Repeat on all four corners.

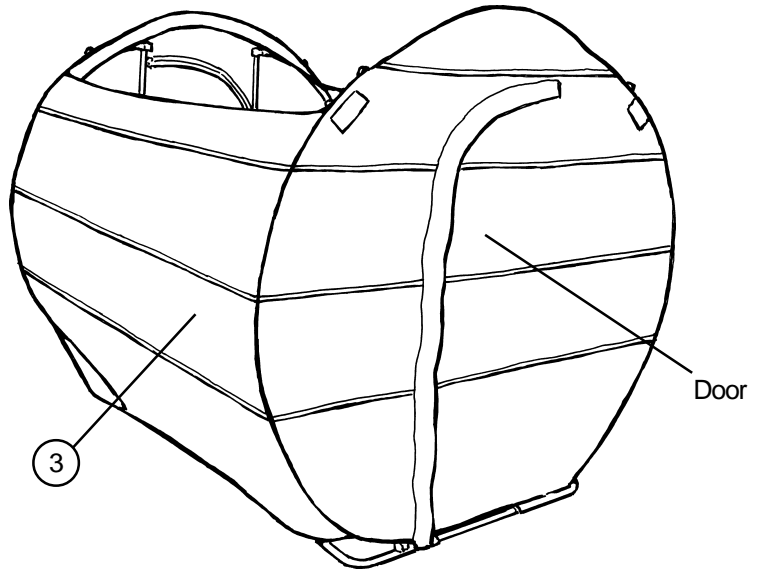


3. Unfold the radius ends of the frame (Item 1) and lift the end bows (Item 2) and drape the nylon fabric (Item 3) over the frame as shown below (it may be easier to extend the frame with the door of the blind open). Attach all velcro straps from nylon fabric to frame.

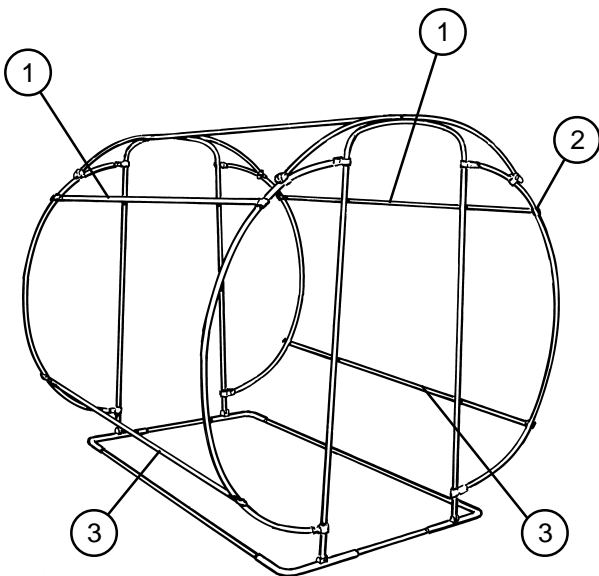
Note: Nylon fabric may already be preassembled to the frame. If so, just lift the ends to the upright position as shown.



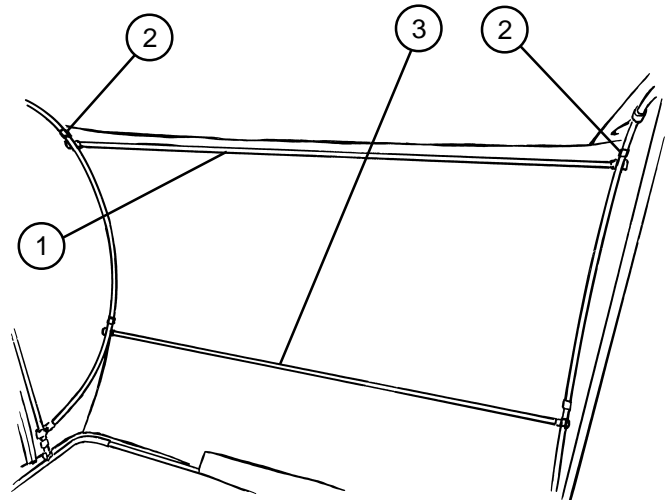
Frame shown without fabric attached



4. Attach two ridge poles (Items 1 and 3) to radius tubing on each side. Attach the top ridge pole (Item 1) directly under the velcro loop (Item 2). Attach the bottom ridge pole (Item 3) approximately 12" from the floor. To prevent the ridge poles from coming off, attach them with the back of the fastener facing the fabric.



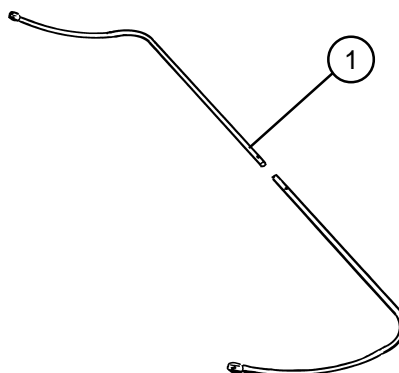
Frame shown without fabric attached



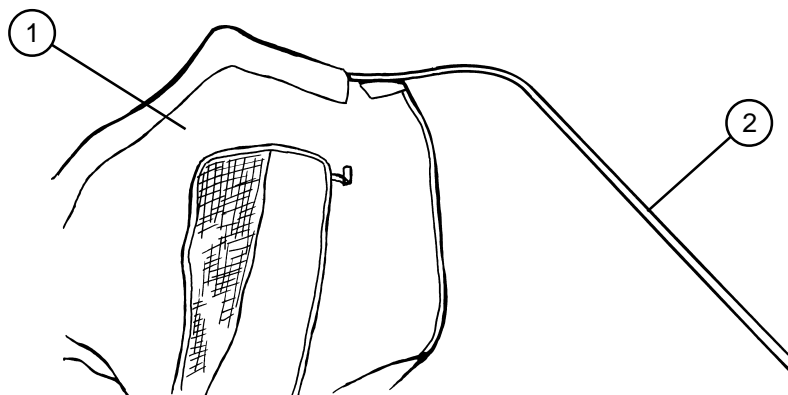
Closer View

5. Assemble the two halves of the roof panel tubing by pressing down on the spring loaded button (Item 1) and sliding the tubing together.

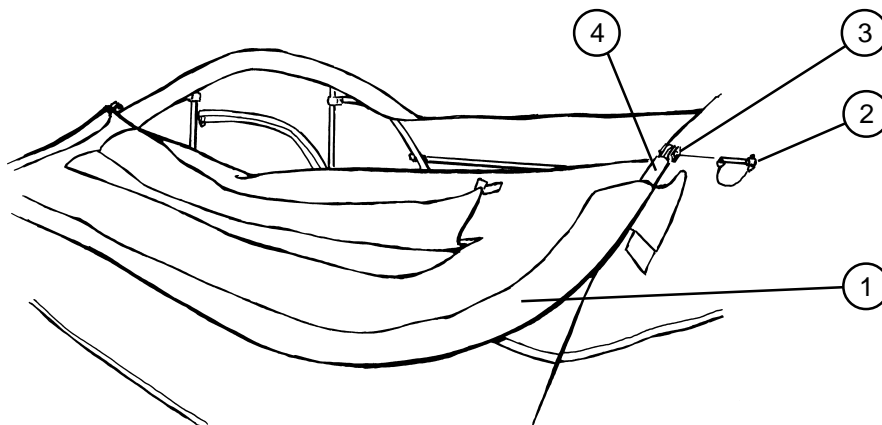
Note: One end of the tubing may already be preassembled into the fabric.



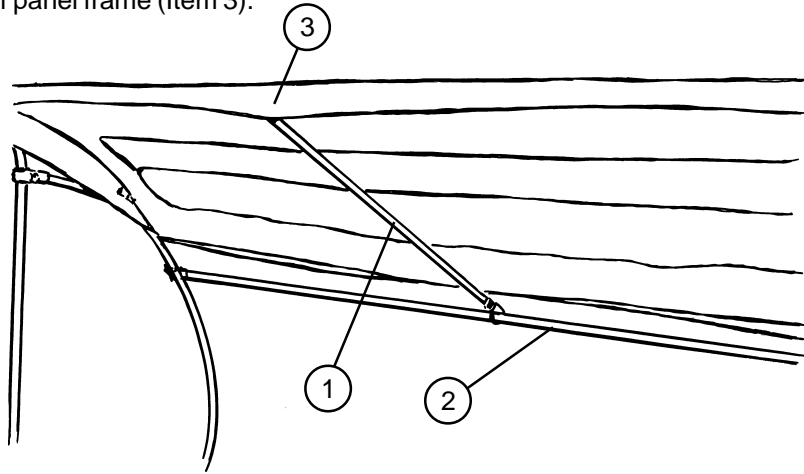
6. Slide the roof panel fabric (Item 1) over the roof panel tubing (Item 2). Orient the fabric as shown in the drawing below (dark side down).



7. Attach roof panel (Item 1) to frame by inserting clip pins (Item 2) through u-shaped hinge brackets (Item 3) on radius tubing, through roof panel tubing (Item 4) then fasten clip.

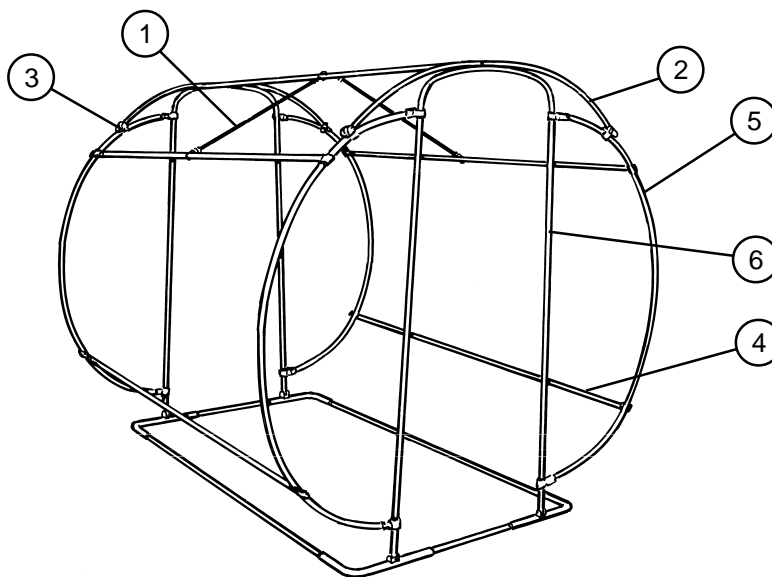


8. Attach elastic straps (Item 1) to the middle of the frame by clipping one end to the top ridge pole (Item 2) and the other end to the roof panel frame (Item 3).



Take down:

Unhook the two elastic straps (Item 1). Remove the two roof panels (Item 2) by removing the four clip pins (Item 3). Remove the four ridge poles (Item 4) and place diagonally in bottom of (optional) sled. Fold down the blind by grasping both radius ends (Item 5) pulling toward you while pushing the end bows (Item 6) away from you and down into the sled. Do each end one at a time. Place the ridge poles and elastic straps on top of the blind.



For your safety:

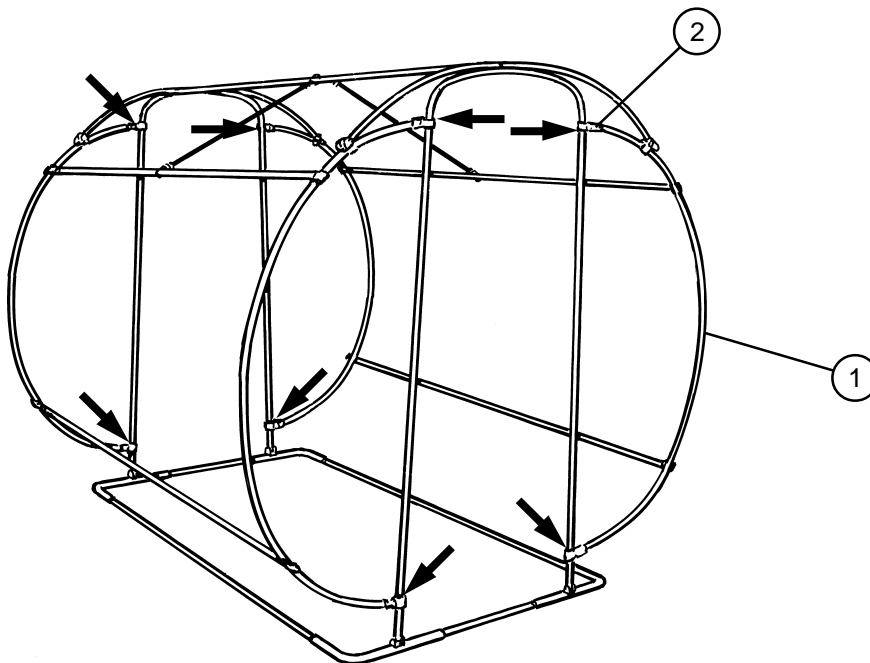
- Place blind on level ground. Make sure your footing is secure.
- To prevent your blind from rolling over in windy conditions, secure the blind to the ground using 18" HayBale Stakes or equivalent. **Note:** Holes have been provided in each corner to accommodate stakes.
- Practice using the blind before you enter the field.
- Never have gun loaded when towing across the field.
- Keep gun barrel out in front of you at all times.
- If using a swivel seat while hunting with a partner, make sure you always know which direction you are going to turn.
- When a hunting partner is already inside the blind, do not enter the doorway with a loaded gun.
- The use of ear plugs is always recommended.
- To secure footing and reduce noise, cover the floor with a carpet remnant. Keep elastic cords in good shape by disconnecting after each use.

Caring for your blind:

- Allow the blind to dry before storing to prevent mold and mildew.
- Keep blind in a safe place away from mice.
- Keep sharp objects away from the fabric.
- Never overload gear on the sled during transport.
- Never force a part or fitting.
- For hauling big game, bolt a wood platform to the optional sled's side rails. Don't allow the animal to rest directly on the tubing.

Note: Rugged nylon fabric with a waterproof urethane coating may under certain conditions shrink slightly. Simply trim off 1/2" on each end of the radius tubing (see diagram below). Trim ends where indicated. This will reduce the overall circumference of the blind and allow the fabric to fit.

Remove each end radius tubing (Item 1) by loosening the set screw on each black nylon eye-end fitting (Item 2). Trim off 1/2" of radius tubing with a hacksaw. Reinstall each radius tubing (item 1) in the black nylon eye-end fitting (Item 2) and secure set screw.



HayBale™ Blind - "Outfitter Series"
June, 2008