



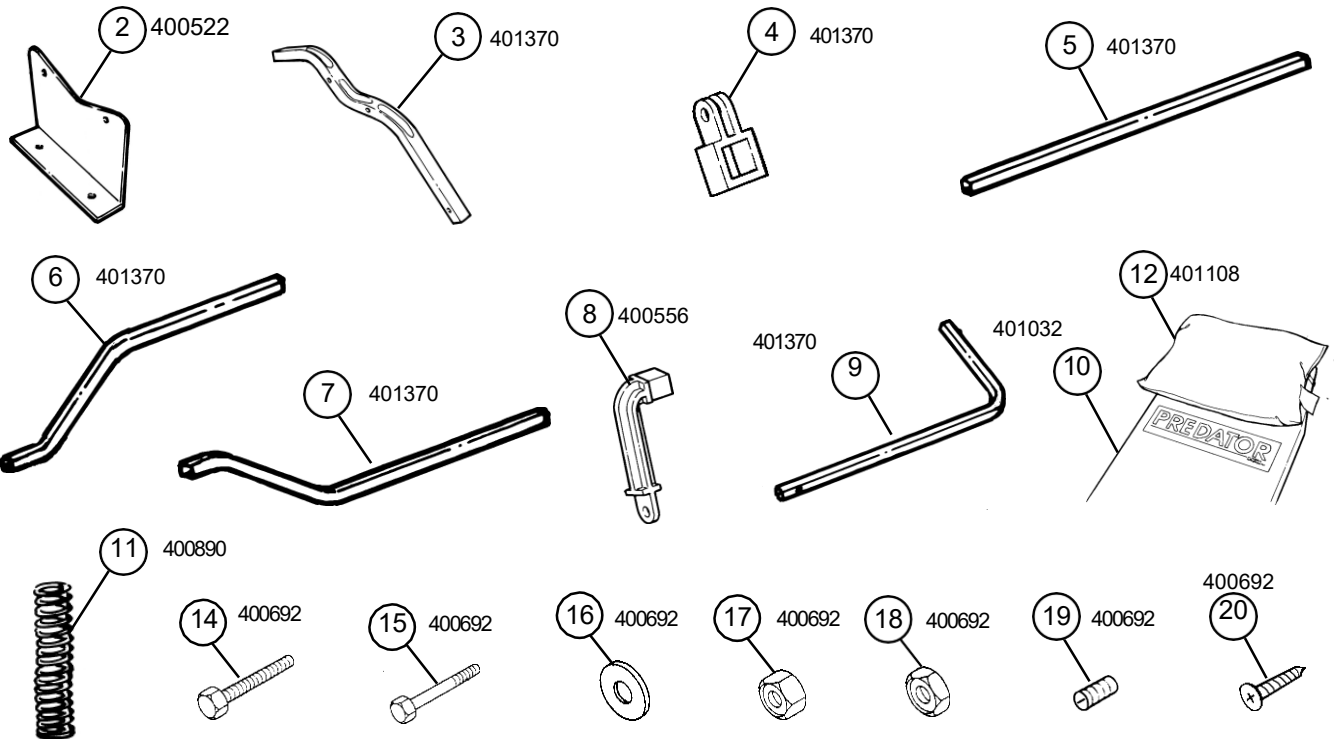
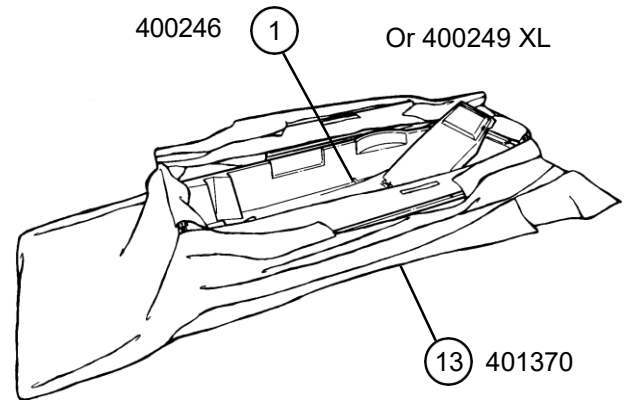
# Predator and Blind Installation and Set-Up Instructions

## PARTS LIST

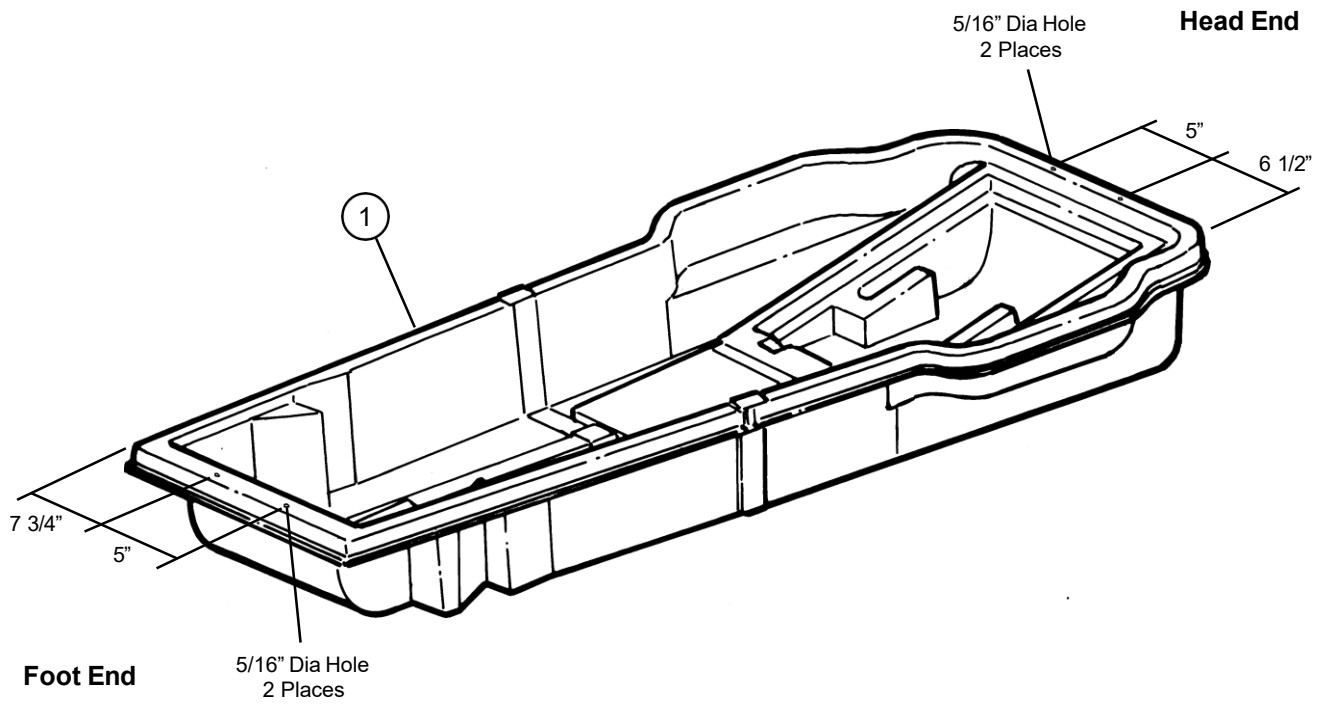
Item #	Qty	Part #	Description
1	1	400246 400249 XL	Predator (sold separately or as a complete package)
2	2	400522	Frame Bracket
3	2	401370	Support Bar
4	4	401370	Hinge Bracket
5	4	401370	Center Bar
6	2	401370	Bent Outer Bar - Foot
7	2	401370	Bent Outer Bar - Head
8	4	400556	Hinge Elbow
9	4	401370	Corner Outer Bar
10	1	401032	Back Rest (included with Predator)
11	2	400890	Back Rest Spring (incl. with Pred)
12	1	401108	Pillow (included with Predator)
13	1	401370	Fabric Blind – Karma Wetland
14	4	400692	1/4 x 3/4 Bolt
15	8	400692	1/4 x 1 1/4 Bolt
16	4	400692	5/16 Washers
17	10	400692	1/4 Nylon Lock Nut
18	4	400692	1/4 Low Profile Nylon Lock Nut
19	4	400692	1/4 x 1/2 Set Screw
20	4	400692	#8 x 3/4 Self Tapping Screw
<b>14-20</b>	<b>1</b>	<b>400692</b>	<b>For Complete Hardware Bag</b>
21	2	400979	Velcro Strip (not shown)

## TOOLS REQUIRED

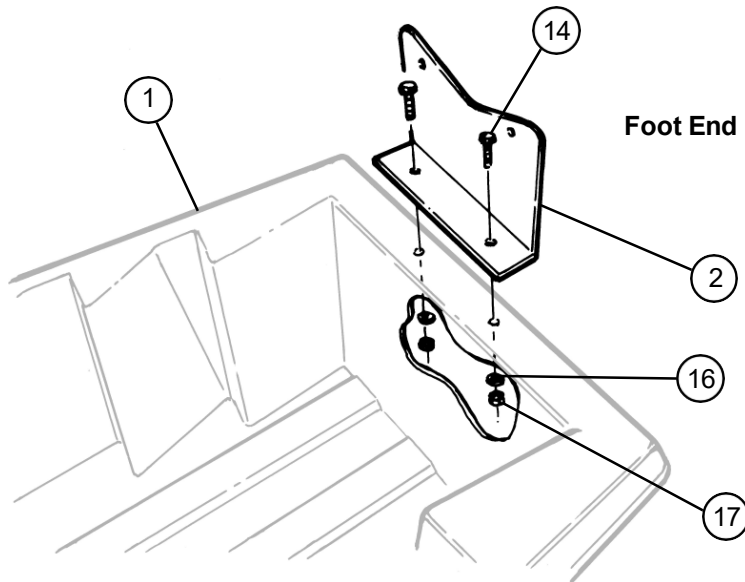
- 7/16 Box End Wrench
- 7/16 Socket and Ratchet
- Allen Wrench
- Drill
- 5/16 Bit
- Hammer



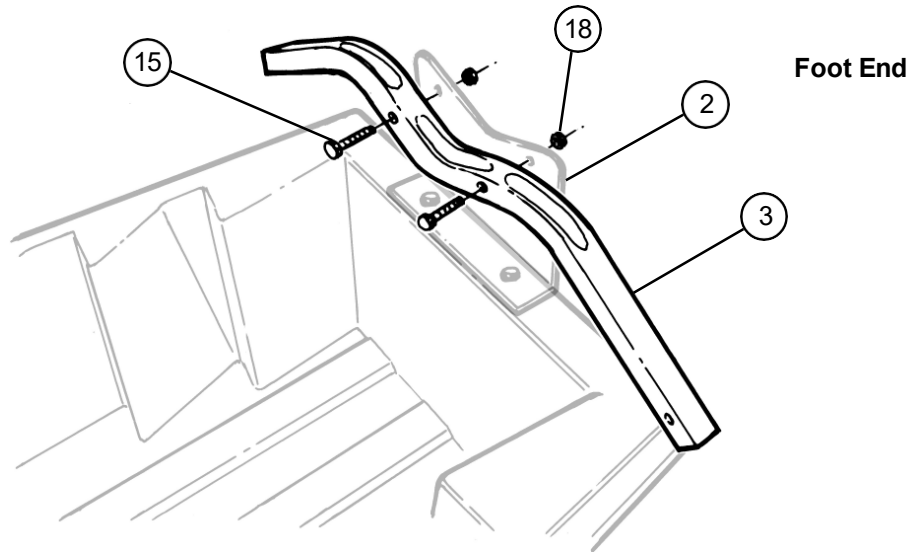
1. Drill two 5/16 holes in the head and the foot of the Predator (Item 1) as shown.



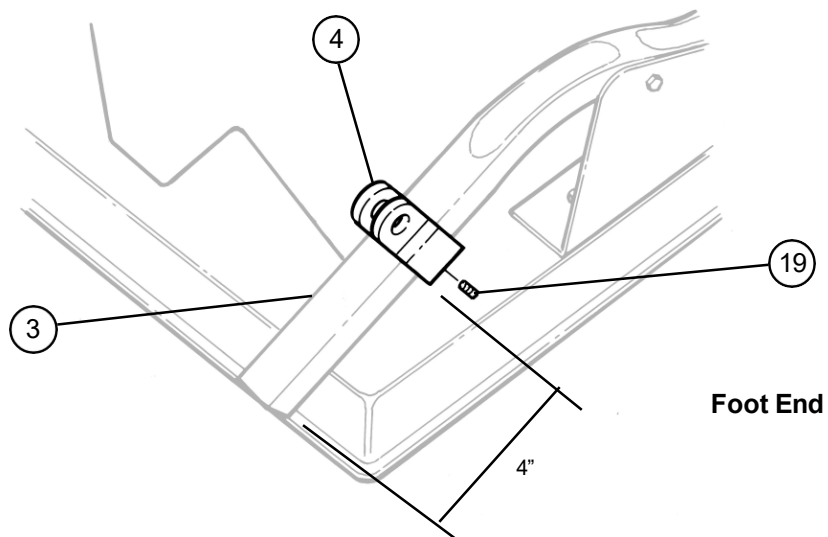
2. Attach the frame bracket (Item 2) to the head and foot of the Predator (Item 1) with 1/4 x 3/4 bolts (Item 14), 5/16 washers (Item 16) and 1/4 nylon lock nuts (Item 17).



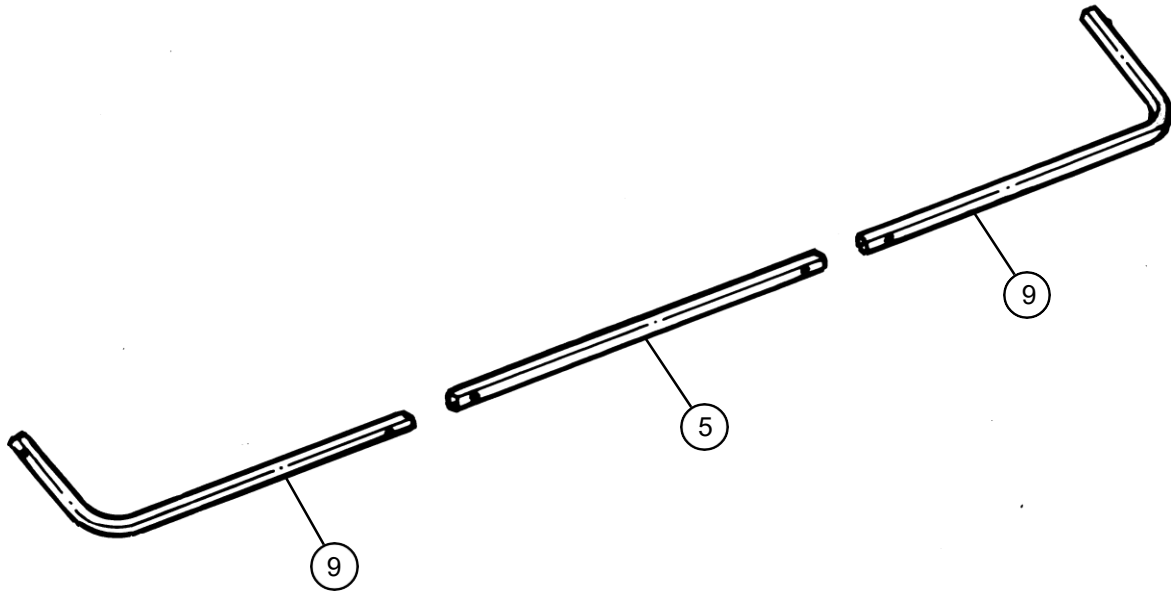
3. Attach the support bar (Item 3) to the frame brackets (Item 2) with 1/4 x 1 1/4 bolts (Item 15) and 1/4 low profile nylon lock nuts (Item 18). Repeat on the head end of the Predator.



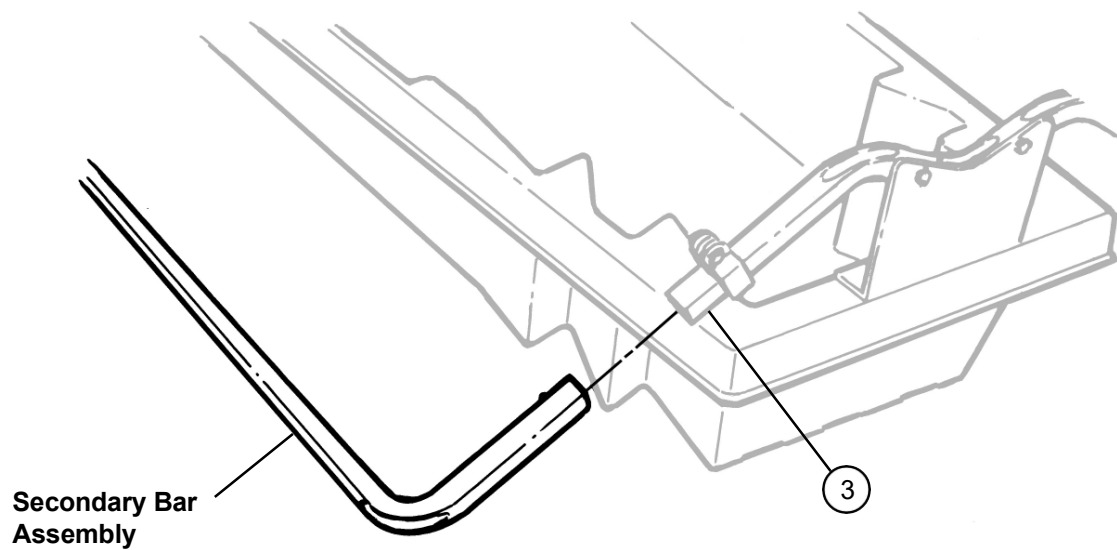
4. Slide the hinge bracket (Item 4) 4 inches up on to the support bar (Item 3) and tighten the 1/4 x 1/2 set screw (Item 19). Repeat on the other side and the head end of the Predator.



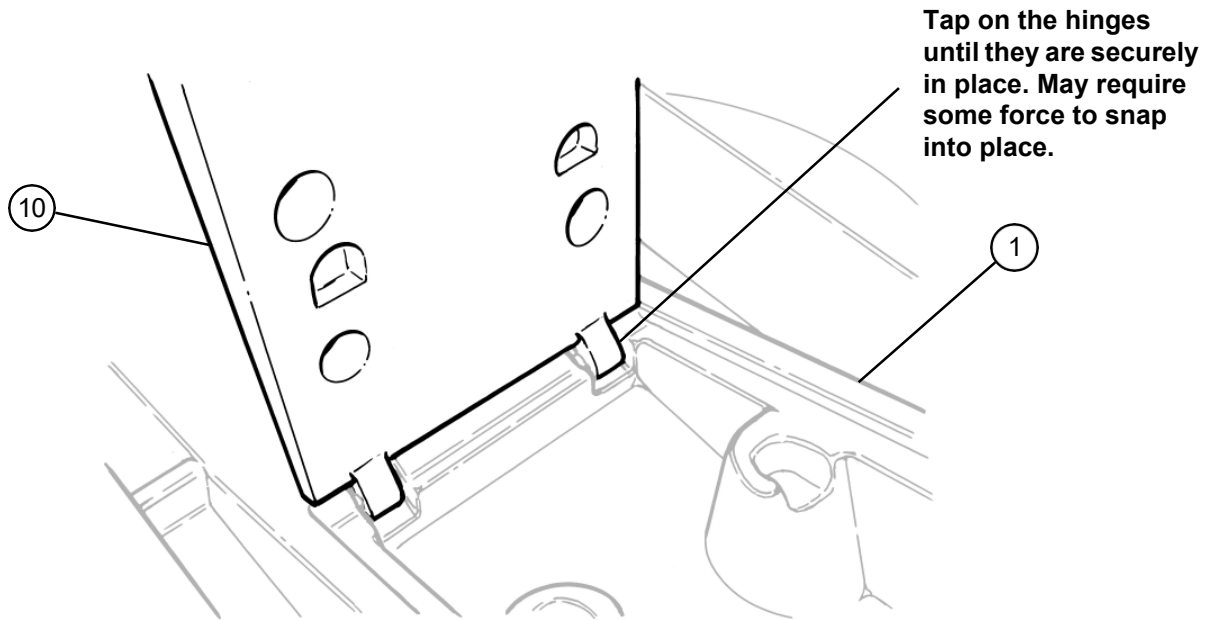
5. Insert the center bar (Item 5) into the corner outer bars (Item 9). **(Line up holes with button lock, push lock in as you slide in the bar.)** Assemble two secondary bars.



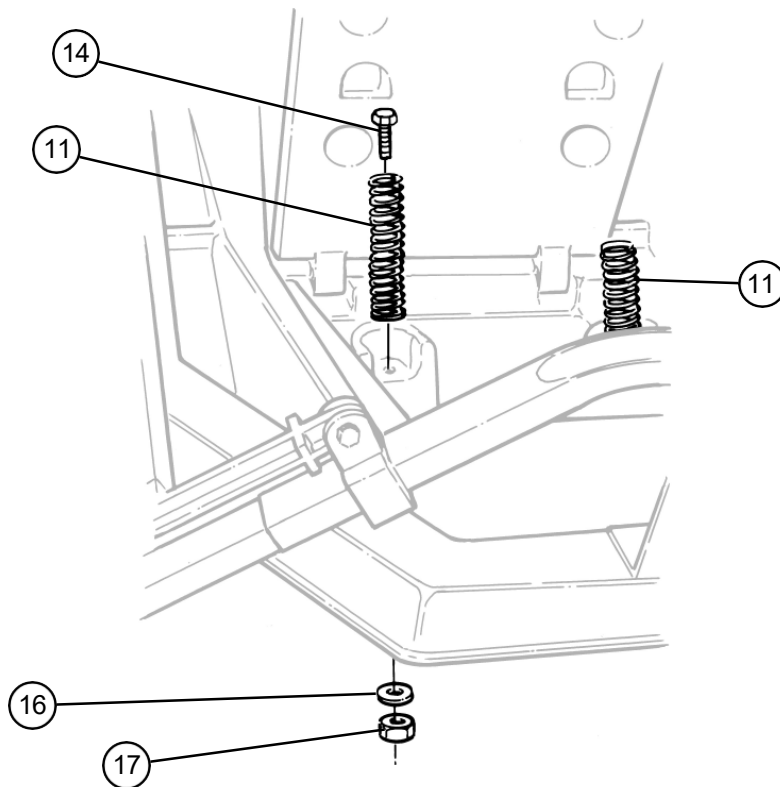
6. Insert the secondary bar assembly (assembled in step 7) to the support bar (Item 3). **(Line up holes with button lock, push lock in as you slide in the bar.)** Repeat on the other side.



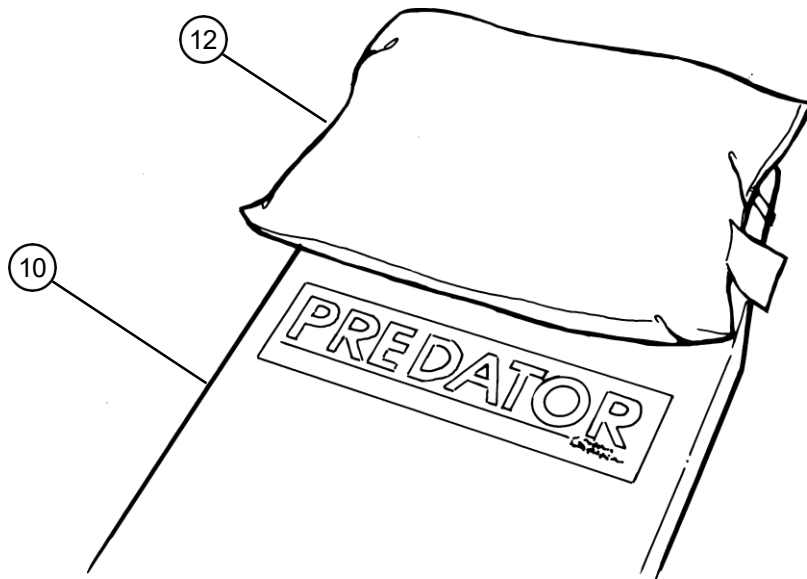
7. Tap the back rest (Item 10) until the clamps attach to the Predator (Item 1).



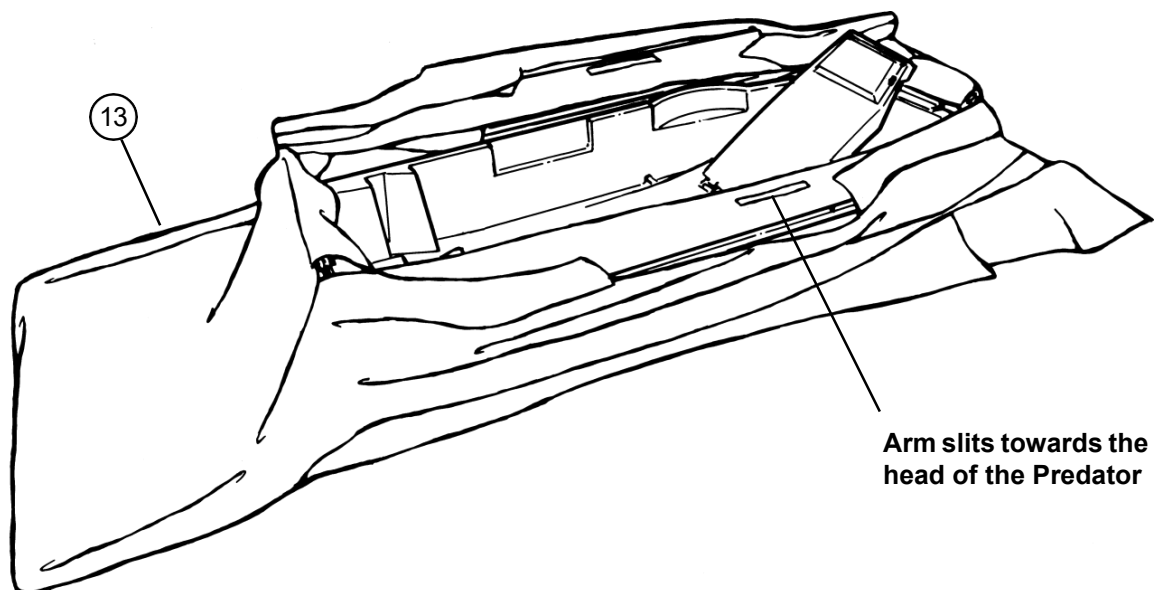
8. Install the back rest spring (Item 11) with 1/4 x 3/4 bolts (Item 14), 5/16 washer (Item 16), and 1/4 nylon lock nut (Item 17).



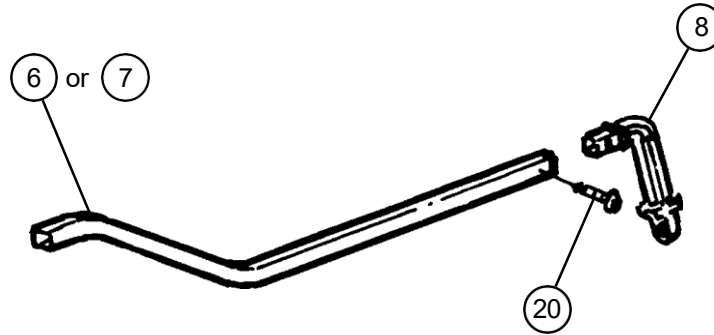
9. Attach the pillow (Item 12) to the back rest (Item 10) and secure with buckle.



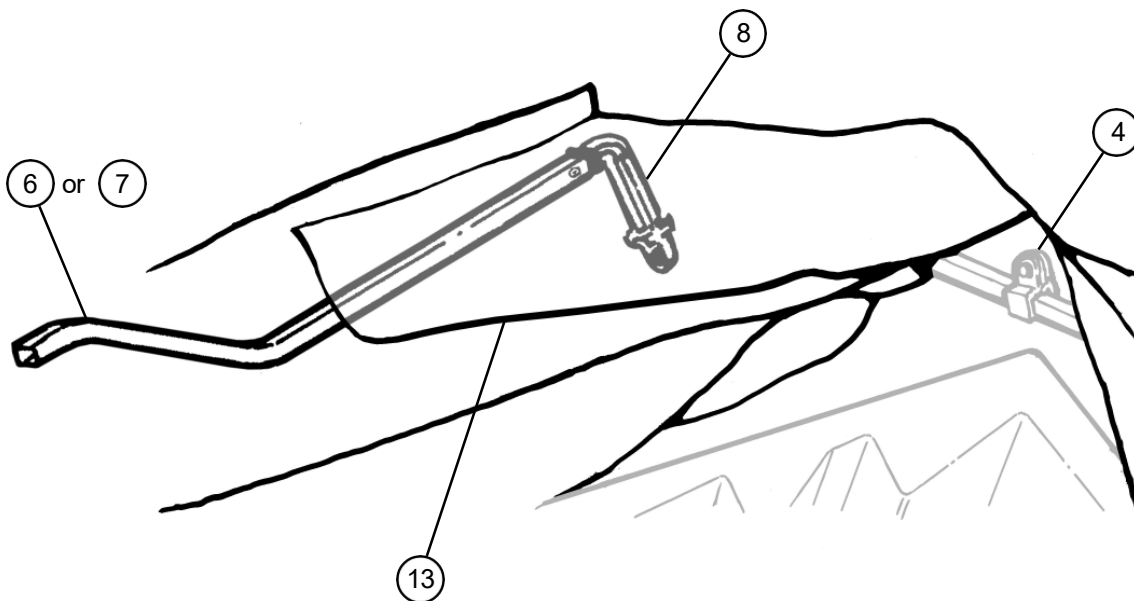
10. Position the canvas cover (Item 13) over the Predator assembly with the arm slits towards the head of the Predator.



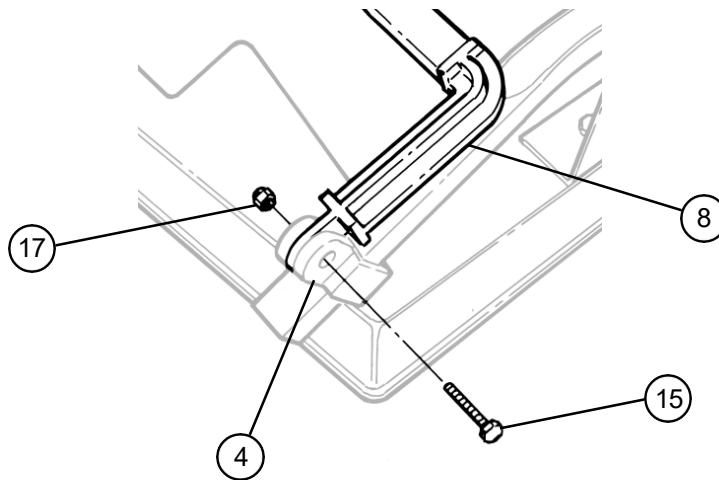
11. Insert the hinge elbow (Item 8) into the end on the bent outer bars (Item 6 and Item 7) and secure with #8 x 3/4 self tapping screws (Item 20). Assemble all four hinge elbows to the bent outer bars.



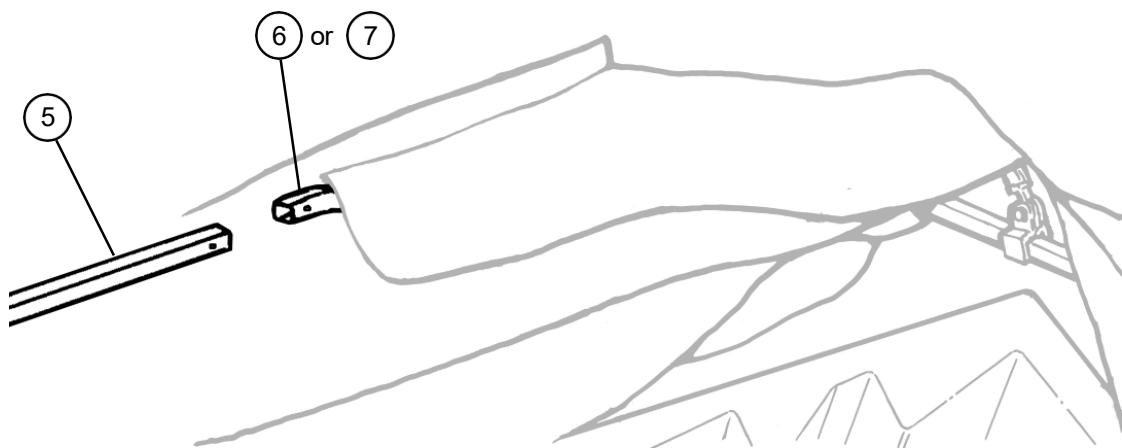
12. Slide the bent outer bar (Item 6 and Item 7) through the sleeve of the canvas cover (Item 13) until the hinge elbow (Item 8) reaches the hinge bracket (Item 4). **(Be sure to have the correct bent outer bar for the head and foot).** Repeat on the other side.



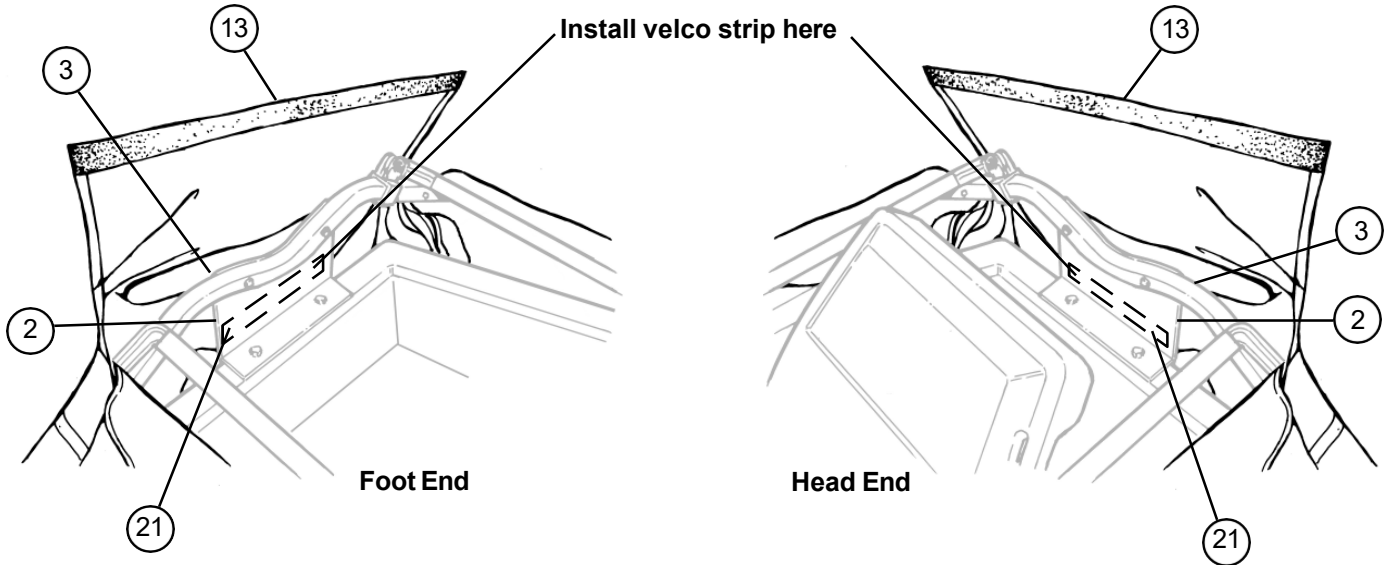
13. Attach the hinge elbow (Item 8) to the hinge bracket (Item 4) with 1/4 x 1 1/4 bolts (Item 15) and 1/4 nylon lock nuts (Item 17). (**Be sure to have the correct bent outer bar for the head and foot**). Repeat on the other side.



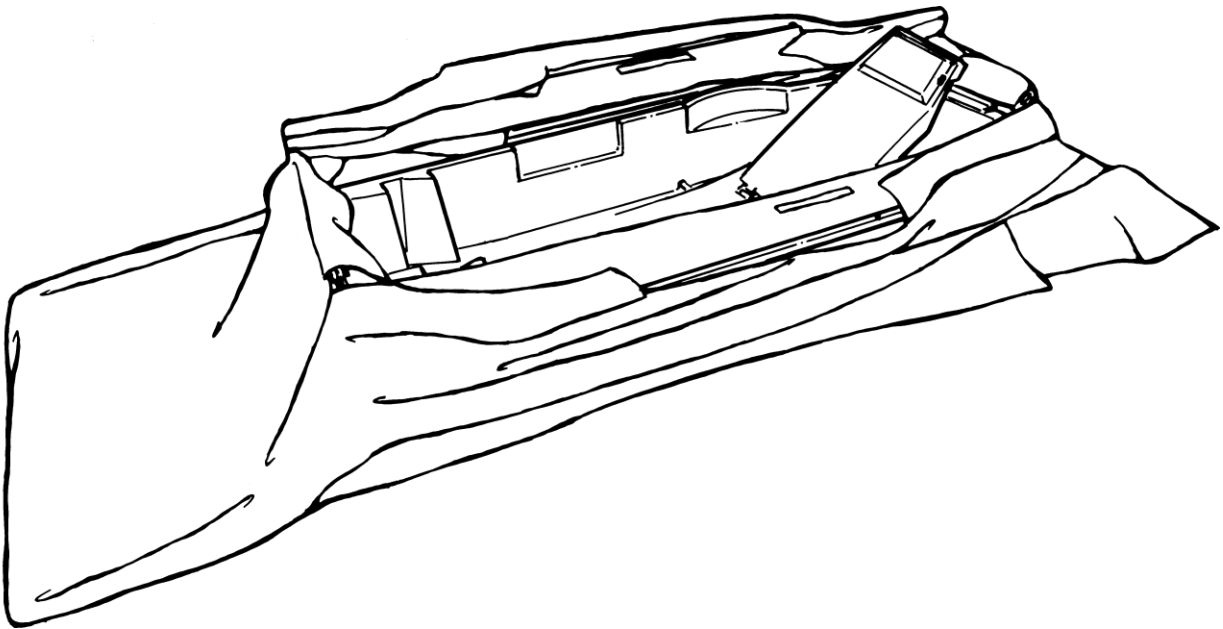
14. Insert the center bar (Item 5) into the bent outer bars (Item 6 and Item 7). (**Line up holes with button lock, push lock in as you slide in the bar.**) Repeat on the other side.



15. Install velcro (Item 21) to the inside of the frame bracket (Item 2). Then fold the canvas cover (Item 13) over the support bar (Item 3) and secure to the frame bracket (Item 2) with velcro.



16. Assembly is complete. Open main bar assemblies to enter in and out of the Predator. Outside canvas cover is equipped with nylon loops for securing vegetation for a more realistic effect if desired.



Predator  
January  
2026